

**1.3 ton
CBD13
Mini Electric Pallet Trucks**

■ **Operator handle**

Ergonomically designed handle for operator comfort and ease of use. Variable speeds available allowing the operator to increase or decrease speeds to suit each varying situations.

■ **Multi-function instrument**

Easy read LCD hour meter and battery discharge indicator (BDI) in one integral unit.

■ **Sealed stabilizer wheels**

Maintenance free sealed stabilizer wheel units eliminate damage from shrink wrap and banding material, whilst optimizing stability.



ANHUI HELI CO., LTD.

ADD 15 WEST WANGJIANG ROAD, HEFEI, ANHUI, P.R. CHINA
TEL (86 551)3639068, 3639258, 3639358
FAX (86 551)3639966
WEBSITE <http://www.helichina.com>

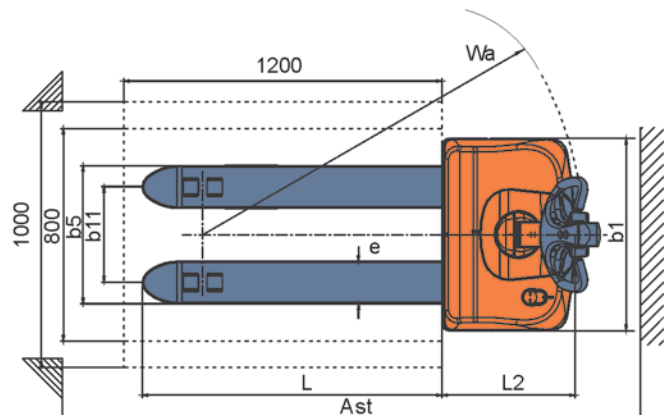
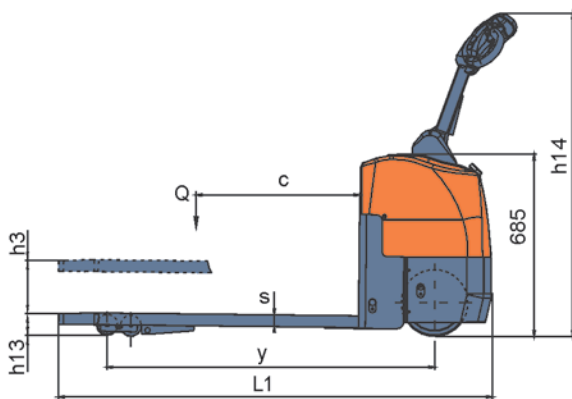
AUTHORIZED DEALER



NO.1 FORKLIFT MANUFACTURING AND SALE
IN CHINA CONTINUOUSLY FOR 20 YEARS

* Details of specifications and equipment are based on information available at the time of printing and may change without notice.

Characteristics			
1	Model Designation		CBD13
2	Configuration Number		610
3	Power type		electric(battery)
4	Operator Type		pedestrian
5	Load capacity	Q(kg)	1300
6	Load center	c(mm)	600
7	Wheelbase	y(mm)	1234
Wheels			
8	Tyre Type		PU
9	Tyre Size, drive	mm	φ 252*67
10	Tyre Size, load	mm	φ 80*58/φ 73*98
11	Stabilizer wheels (size)	mm	φ 99.5*40
12	Wheels number, Stabilizer/load (x=driving wheels)		1X+2/4,1X+2/2
13	Tread, rear	b11 (mm)	488
Dimensions			
14	Handle in neutral position	h14(mm)	1220
15	Overall Length	L1 (mm)	1650/1700
16	Length to face of forks	L2(mm)	500
17	Overall Width	b1(mm)	724
18	Maximum Lifting height	h3(mm)	120
19	Height, fork lowered	h13(mm)	74/85
20	Fork Thickness	s(mm)	44
21	Fork Width	e(mm)	160
22	Fork Length	L(mm)	1150/1200
23	Width overall forks	b5(mm)	540/570/600/685
24	Outside turning radius	Wa(mm)	1400
25	Right angle stacking aisle width for pallets 800×1200 mm(clearance: 200)	Ast(mm)	1820
26	Right angle stacking aisle width for pallets 1000×1200mm(clearance: 200)	Ast(mm)	1865
Performance			
27	Travel speed, with/without load	km/h	3.5/4
28	Lifting speed, with/without load	mm/s	56/60
29	Lowering speed, with/without load	mm/s	57/59
30	Gradeability, with/without load	%	5/7
31	Service Brake		Electromagnetic brake
Motor			
32	Drive motor power	kW	DC0.6
33	Lift motor power	kW	DC0.8
34	Battery voltage/capacity	V/ Ah	24/70Maintenance free
Weight			
35	Battery Weight	kg	48
36	Weight (include battery)	kg	292



CBD13-610